

S/M No. : FR19500010

Service Manual

Refrigerator

Model: FR-195

DAEWOO



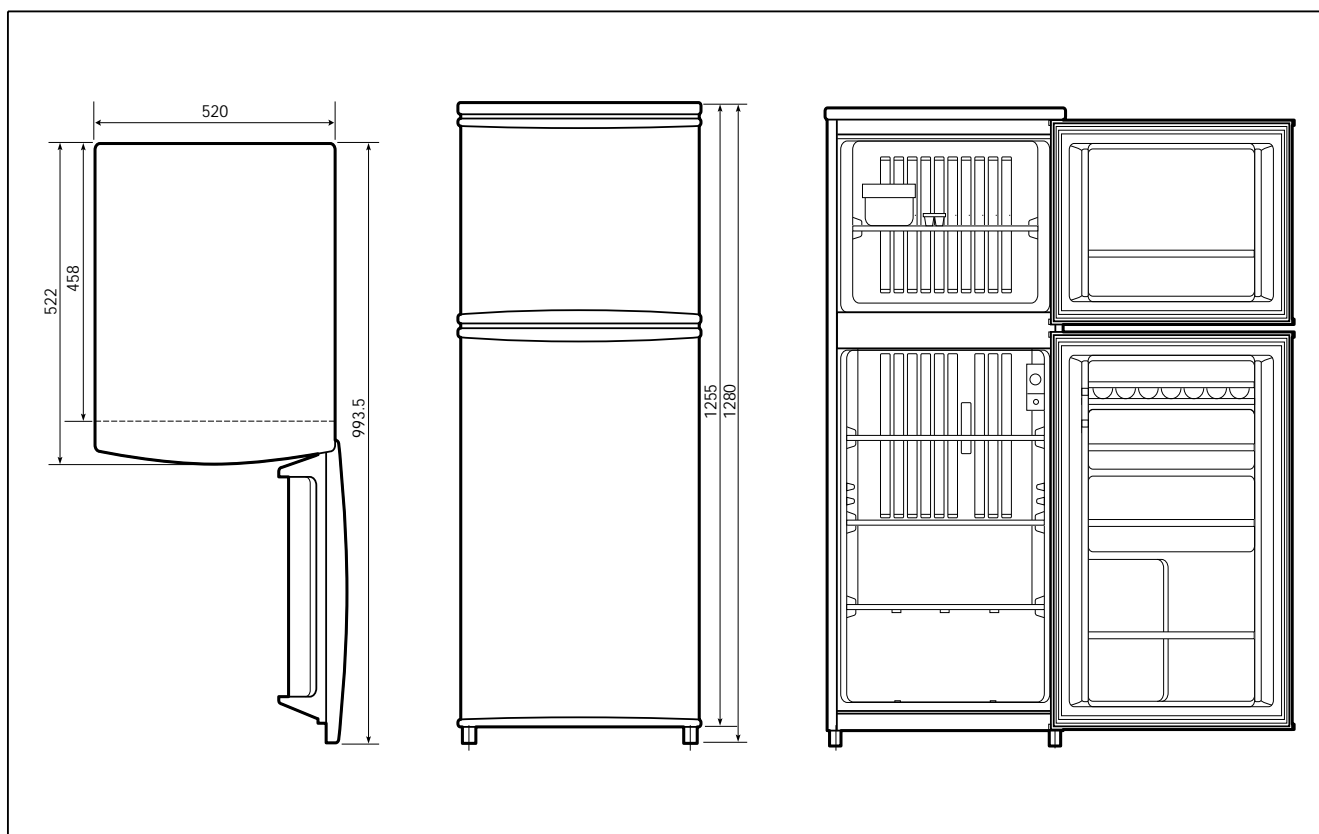
DAEWOO ELECTRONICS CO., LTD.

1. Specification	1
2. External view	2
3. Wire diagram	3
4. Name of parts	4
5. Refrigerant cycle diagram	5
6. Machine room view and part list	6
7. Main components	7
8. Door color specification	9
9. Exploded view and parts list	12

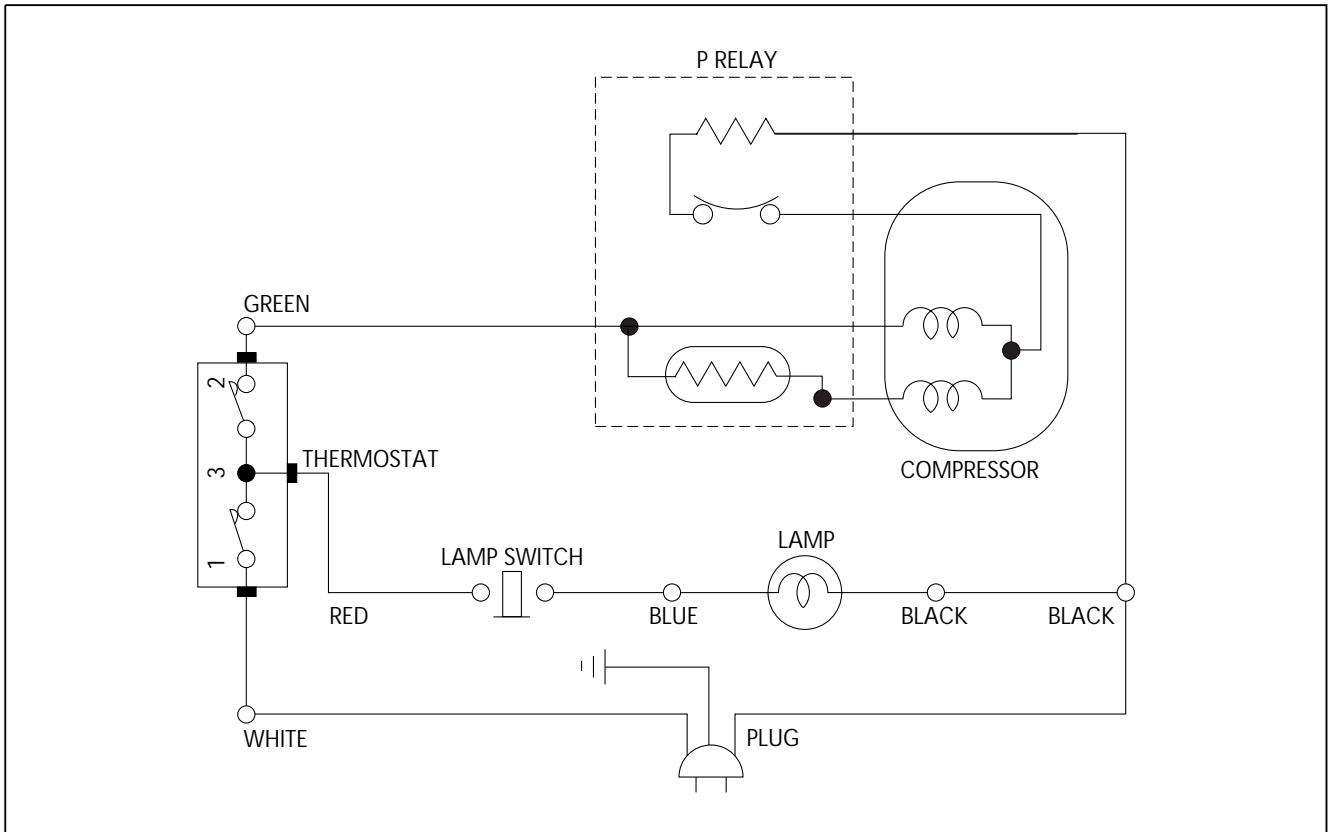
1. SPECIFICATION

MODEL NAME		FR-195
Refrigerant	R12	120g
	R134a	115g
Cooling System		Direct Cooling
Refrigeration System		Natural Cold-air Convection
Defrost System		Natural
Defrost Operation		Freezer : Manual Start & Stop Refrigerator : Auto Start & Stop
Cold Control		Adjustable Dial
Capacity	Freezer	46 ℓ
	Refrigerator	116 ℓ
	Total	162 ℓ
External Dimension	Height	1280mm
	Width	520mm
	Depth	550mm
Net Weight		40Kg

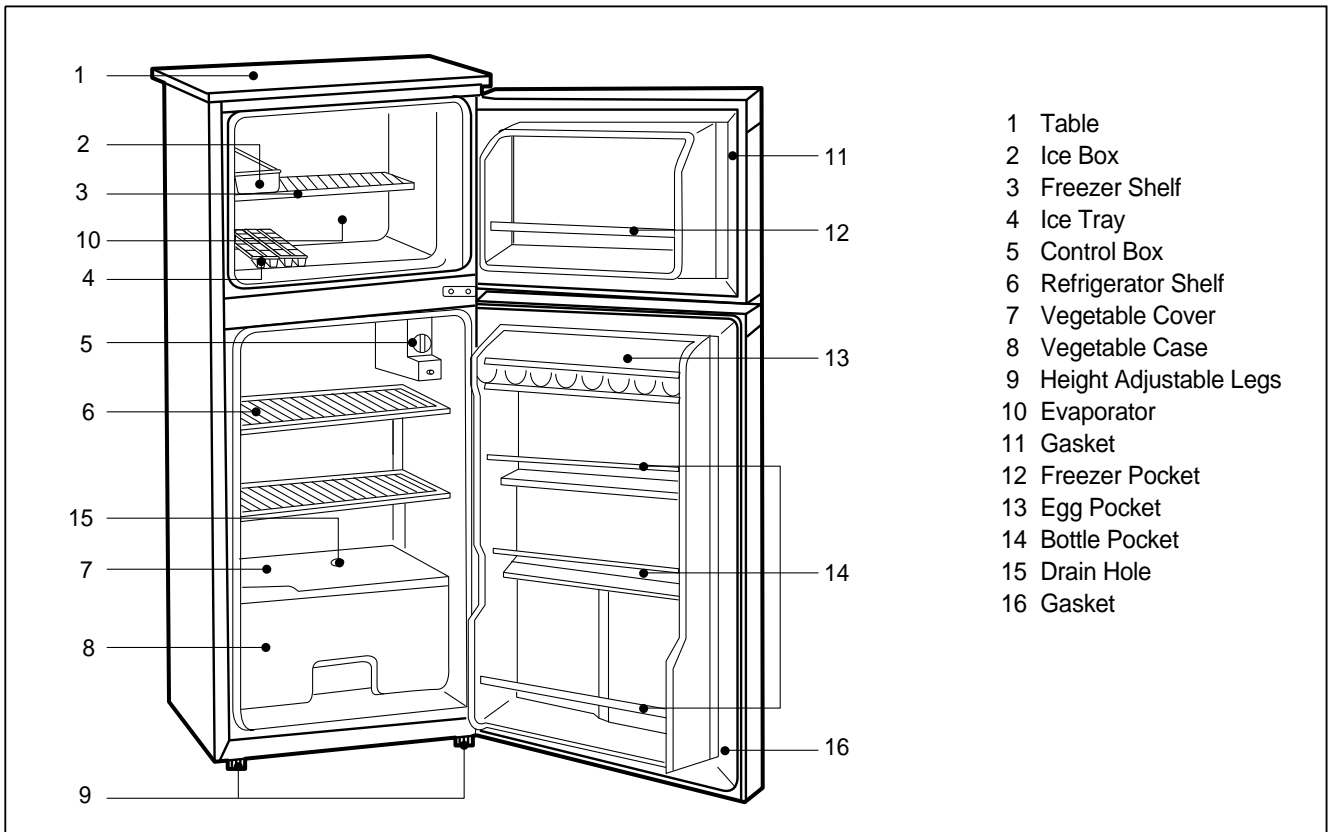
2. EXTERNAL VIEW



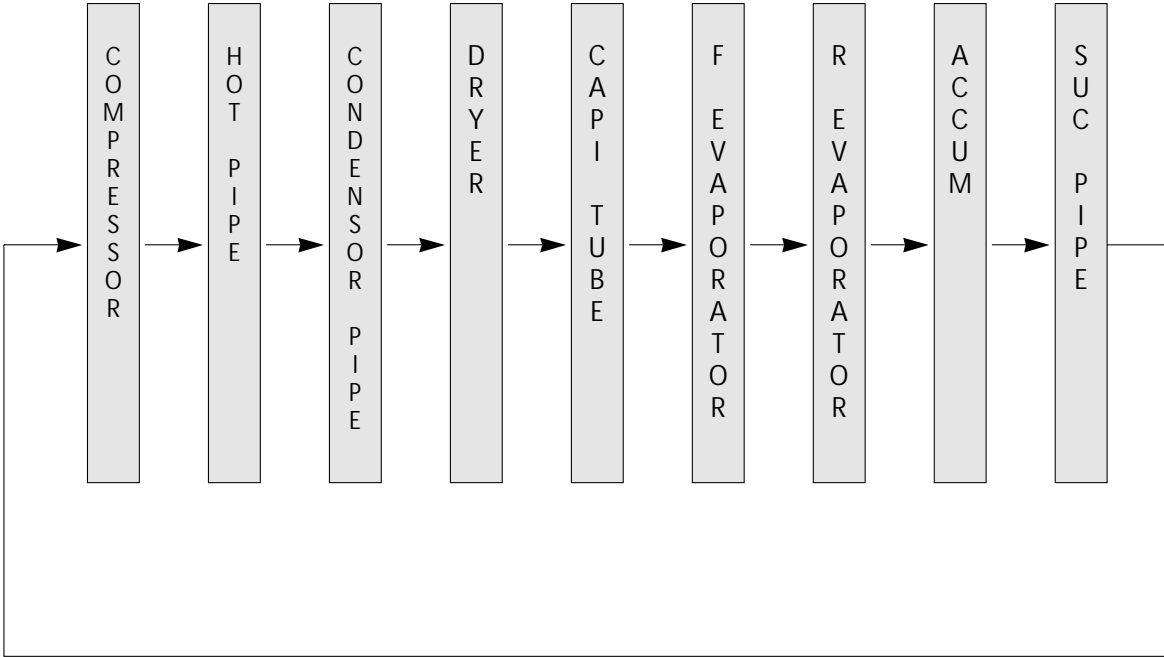
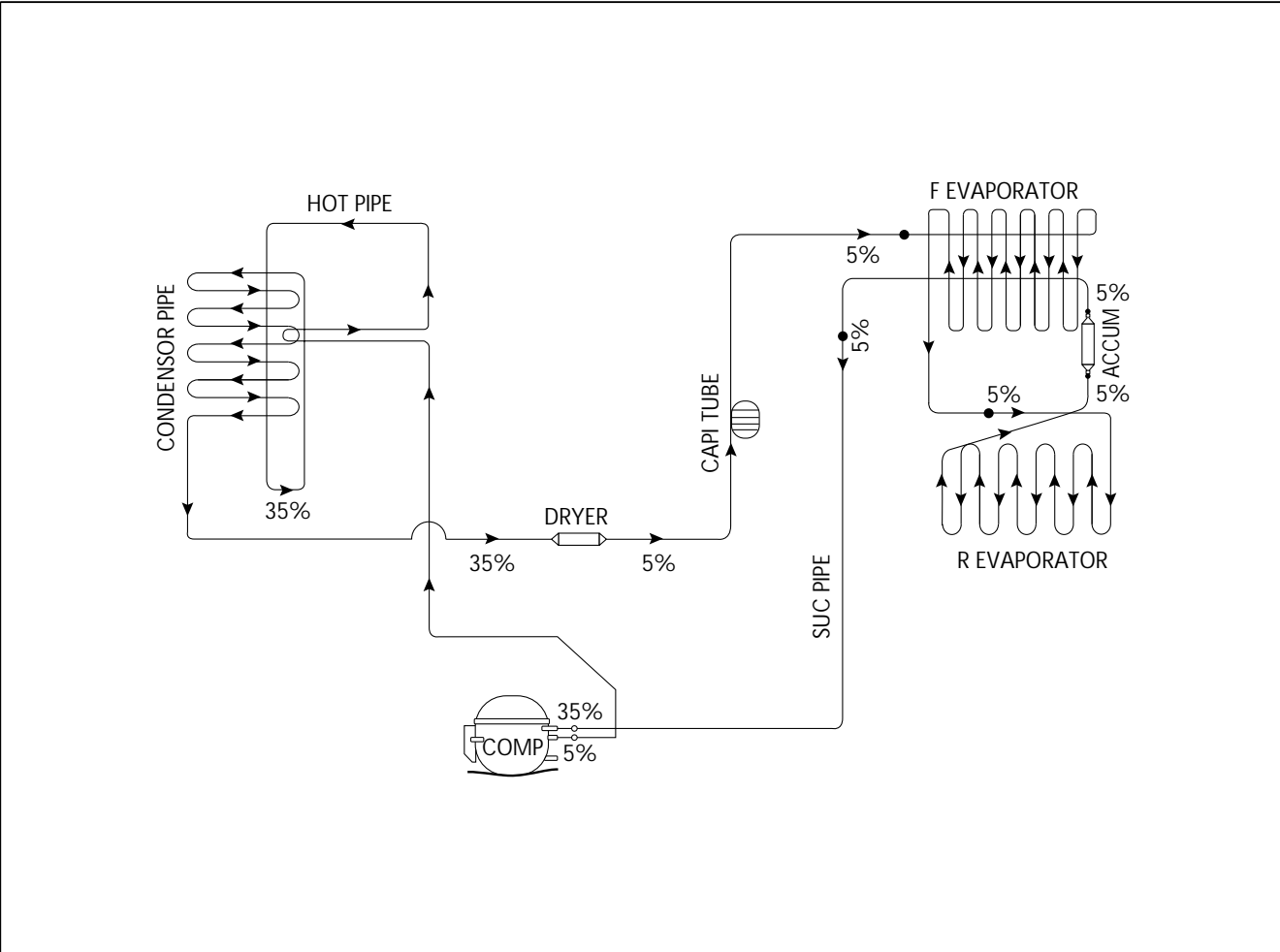
3. WIRE DIAGRAM



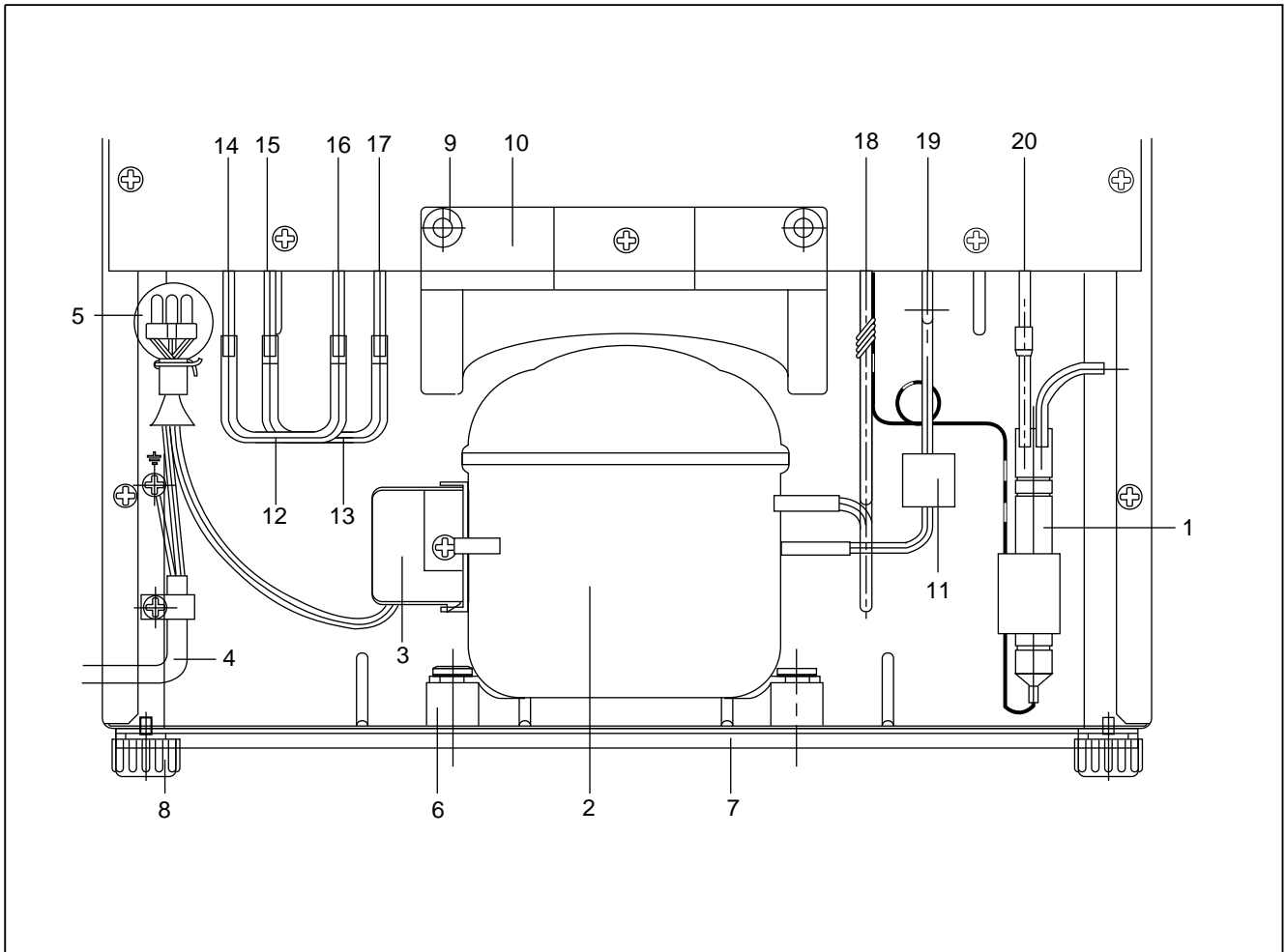
4. NAME OF PARTS



5. REFRIGERANT CYCLE DIAGRAM



6. MACHINE ROOM VIEW AND PART LIST



NO	PART NAME	NO	PART NAME	NO	PART NAME
1	DRYER AS	8	FOOT ADJ	15	SIDE-PIPE (R) OUTLET
2	COMPRESSOR	9	FIXTURE VAPORI	16	SIDE-PIPE (R) INLET
3	SWITCH P-RELAY AS	10	CASE VAPORI	17	SIDE-PIPE (L) OUTLET
4	POWER CORD	11	VIBRATION MASS	18	SUC-PIPE
5	CEC COVER	12	CONNECT PIPE B	19	HOT-PIPE
6	ABSORBER	13	CONNECT PIPE A	20	SIDE-PIPE(L) OUTLET
7	COMPRESSOR BASE	14	HOT-PIPE OUTLET		

7. MAIN COMPONENTS

1. COMPRESSOR

Refrigerant	R12							
Voltage	100V/50,60Hz	110V/60Hz	115, 120V/60Hz	127V/60Hz	220V/50Hz	220V/60Hz	230V/50Hz	240V/50Hz
Comp. model	X	X	X	X	SL19J-5	PL17J-4	SL19J-5	X
Part code	X	X	X	X	3954119380	3956117340	3954119380	X
Strating type	X	X	X	X	RSIR	RSCR	RSIR	X

Refrigerant	R134a							
Voltage	100V/50,60Hz	110V/60Hz	115, 120V/60Hz	127V/60Hz	220V/50Hz	220V/60Hz	230V/50Hz	240V/50Hz
Comp. model	HEL19J	HEL15J-3	X	X	X	X	X	X
Part code	3955119E00	3953115E30	X	X	X	X	X	X
Strating type	RSCR	RSCR	X	X	X	X	X	X

2. RELAY ASSEMBLY

Refrigerant	R12							
Voltage	100V/50,60Hz	110V/60Hz	115, 120V/60Hz	127V/60Hz	220V/50Hz	220V/60Hz	230V/50Hz	240V/50Hz
Relay model	X	X	X	X	174SHBYY-52	129NHBYY-52	174SHBYY-52	X
Part code	X	X	X	X	3018108400	3018112100	3018104810	X

Refrigerant	R134a							
Voltage	100V/50,60Hz	110V/60Hz	115, 120V/60Hz	127V/60Hz	220V/50Hz	220V/60Hz	230V/50Hz	240V/50Hz
Relay model	427THBZZ-52	232THBYY-52	X	X	X	X	X	X
Part code	3018114900	3018115200	X	X	X	X	X	X

3. RUNNING CAPACITOR

Refrigerant	R12							
Voltage	100V/50,60Hz	110V/60Hz	115, 120V/60Hz	127V/60Hz	220V/50Hz	220V/60Hz	230V/50Hz	240V/50Hz
Spec.	X	X	X	X	X	350V/5 μ F	X	X
Part code	X	X	X	X	X	400EL15110	X	X

Refrigerant	R134a							
Voltage	100V/50,60Hz	110V/60Hz	115, 120V/60Hz	127V/60Hz	220V/50Hz	220V/60Hz	230V/50Hz	240V/50Hz
Spec.	250V/16 μ F	230V/10 μ F	X	X	X	X	X	X
Part code	3816801900	400EL15130	X	X	X	X	X	X

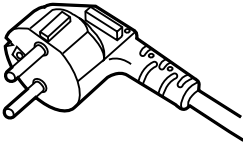
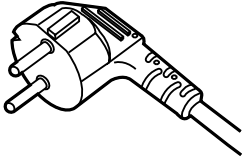
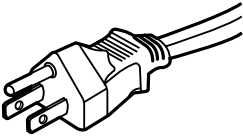
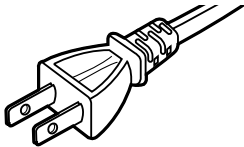
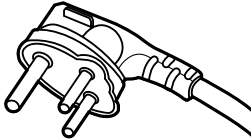
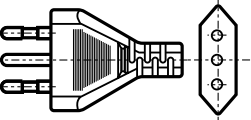
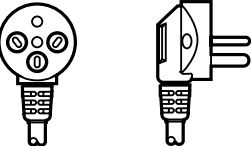
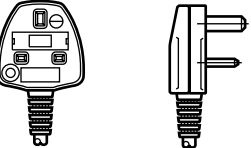

4. LAMP ASSEMBLY

Refrigerant	R12, R134a							
Voltage	100V/50,60Hz	110V/60Hz	115, 120V/60Hz	127V/60Hz	220V/50Hz	220V/60Hz	230V/50Hz	240V/50Hz
Spec.	10W	←	X	X	13W	←	←	X
Part code	4019S15200	←	X	X	400EL20111	←	←	X

5. DRYER

Refrigerant	R12	R134a
Spec.	10 g	15 g
Part code	3016800103	3016801100

POWER CORD SPECIFICATION

NO	SHAPE OF POWER CODE	PART CODE	DESCRIPTION	REMARK
1		3011315000	CP-2PIN	FOR EUROPEAN COUNTRY
2		401RA17200	CP-2PIN	FOR OTHER COUNTRY
3		4006D17101	KP-30	FOR AMERICA
4		401PD17101	KP-211	FOR JAPAN & TAIWAN
5		3011300801	BP-3PIN	
6		3011303010	#267	FOR CHILE
7		3011315310		FOR ISRAEL
8		3011303050	BS-1363A	FOR U.K, MIDDLE ASIA SINGAPORE & MALAYSIA
9		3011301200	KP-551/550	FOR CHINA & AUSTRALIA

* Upper power cord's part code is only for lead wire, without any kinds of terminal or housing.

8. DOOR COLOR SPECIFICATION

1. ASSEMBLY URETHAN FREEZER DOOR

1) Side hidden type

Refrigerant	R12				R134a			
Color type	Dull lamina sheet	High glossy lamina sheet	Normal PCM	Bright PCM	Dull lamina sheet	High glossy lamina sheet	Normal PCM	Bright PCM
Part code	X	X	X	3010044300	X	X	X	3011727300

2) Front hidden type

Refrigerant	R12				R134a			
Color type	Dull lamina sheet	High glossy lamina sheet	Normal PCM	Bright PCM	Dull lamina sheet	High glossy lamina sheet	Normal PCM	Bright PCM
Part code	X	X	X	3011722710	X	X	X	3011727400

2. ASSEMBLY URETHAN REFRIGERATOR DOOR

1) Non key type

1. Side hidden type

Refrigerant	R12				R134a			
Color type	Dull lamina sheet	High glossy lamina sheet	Normal PCM	Bright PCM	Dull lamina sheet	High glossy lamina sheet	Normal PCM	Bright PCM
Part code	X	X	X	3010044400	X	X	X	3011726910

2. Front hidden type

Refrigerant	R12				R134a			
Color type	Dull lamina sheet	High glossy lamina sheet	Normal PCM	Bright PCM	Dull lamina sheet	High glossy lamina sheet	Normal PCM	Bright PCM
Part code	X	X	X	3011722810	X	X	X	3011727010

2) Key type

1. Side hidden type

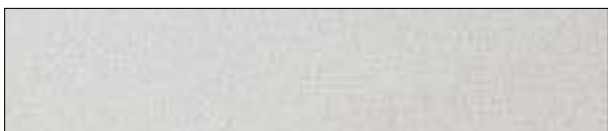
Refrigerant	R12				R134a			
Color type	Dull lamina sheet	High glossy lamina sheet	Normal PCM	Bright PCM	Dull lamina sheet	High glossy lamina sheet	Normal PCM	Bright PCM
Part code	X	X	X	3011726900	X	X	X	3011726920

2. Front hidden type

Refrigerant	R12				R134a			
Color type	Dull lamina sheet	High glossy lamina sheet	Normal PCM	Bright PCM	Dull lamina sheet	High glossy lamina sheet	Normal PCM	Bright PCM
Part code	X	X	X	3011727000	X	X	X	3011727020

COLOR TABLE

1. PCM type

NO	COLOR CHIP	COLOR NAME
1		P/WITH (WH069)
2		'94 L/GRAY (GY158)
3		'95 L/GRAY (GY259)
4		'94 M/GRAY (GY331)
5		'95 M/GRAY (GY335)
6		'97 M/GRAY (GY267)
7		M. D/GRAY (GY750)
8		N/BUE (BL718)
9		MINT GREEN (GN206)
10		'97 BEIGE (BE215)

2. Lamina sheet type

NO	COLOR CHIP	COLOR NAME
1		P/WITH (WH069)
2		'94 L/GRAY (GY158)
3		'95 L/GRAY (GY259)
4		'94 M/GRAY (GY331)
5		'95 M/GRAY (GY335)
6		'97 M/GRAY (GY267)
7		M. D/GRAY (GY750)
8		N/BLUE (BL718)
9		MINT GREEN (GN206)
10		S/GOLD
11		G/GREEN

2. Parts list

NO	PART CODE	PART NAME	DESCRIPTION	QUANTITY	REMARK
1	3010044000	CABINET ASS'Y		1	
2	3017807800	SHELF F	SWM-B	1	
3	4002A30420	CASE ICING	PE-HD	1	
4	4017Z99112	CASE ICE	HC-2	1	
5	3017807800	DECTEH SHELF F	PVC-H	1	
6	3017808000	SHELF R	SWM-B	2	
7	3011607030	DECTEH SHELF R	PVC-H	2	
8	3017807700	SHELF GLASS	GLASS T0.4	1	
9	3010510300	CRISPER	GPPS	1	
10	3011420500	COVER SENSOR	PP	1	
11	3010700600	BUSHING SENSOR	SI	2	
12	4017L32521	ADJ FOOT(L)	PP(JI-360)	3	
13	7112401611	TAPPING SCREW	T1 TRS 4 X 16 MFZN	3	
14	4005G70910	KNOB C/S	ABS	1	
15	4018R16002	SWITCH DR		1	
16	4017L32532	ADJ FOOT (R)	PP(JI-360)	1	
17	3011108700	BOILD	PP	1	
18	3012903700	HINGE *M AS		1	
19	3016000203	SCREW SPECL	M5 X16 MF-ZN5-A2	2	
20	4018R72117	BOX CONTL		1	
21	3017902800	LAMP SOCKET AS	240V 13W	1	
22	3018300200	SWITCH CONTL AS	K-11DB	1	
23	3012903900	HINGE *U AS		1	
24	7117501411	SCREW TAPPING	T5 X 14 MFZN	2	
25	3816301800	BOLT	SM10C	4	
26	4160A82031	WASHER	SPCC (MFZN)	4	
27	3810700100	BUSH	STKM 11A (ZN-3A)	4	
28	3014410730	CONNECT PIPE A	C 1220T-0 D6XT0.6	1	
29	3014419900	CONNECT PIPE B	C 1220T-0 D6XT0.6	1	
30	7112401011	SCREW TAPPING	T1 TRS 4 X 10 MFZN		
31		LABEL EMBLEM		1	
32		DOOR F URT AS		1	REFER TO # 9
33	3017407400	F-LINER	ABS T1.4	1	
34	3012302660	GASKET AS	PVC-S+MAGNET	1	
35	3019004870	POCKET BAR A	PVC-H L360	1	
36		DOOR R URT AS		1	REFER TO # 9
37	3017407500	R-LINER	ABS T1.4	1	
38	3019004890	POCKET BAR C	PVC-H L387	1	
39	3019004880	POCKET BAR B	PVC-H L202	1	
40	3019006200	POCKET BAR D	PVC-H L387	1	
41	3012302670	GASKET AS	PVC-H L380	1	
42	3010700680	BUSH	PVC-S+MAGNET	1	
43		CORD POWER AS		1	REFER TO # 8
44	7112501011	SCREW TAPPING	T1 TRS 5 X 10 MFZN	1	
45		S/W P-REALY AS		1	REFER TO # 7
46		COMPRESSOR		1	REFER TO # 7
47	3817805000	RUBBER GROMMET	NR	4	
48	3010304630	BASE COMP	G1 (T1.5 X503 X58)	2	
49	7650602011	BOLT HEX	GB-16 X20 HS MFZN	2	
50		DRYER AS		1	REFER TO # 7