

DAEWOO

Service Manual

Refrigerator

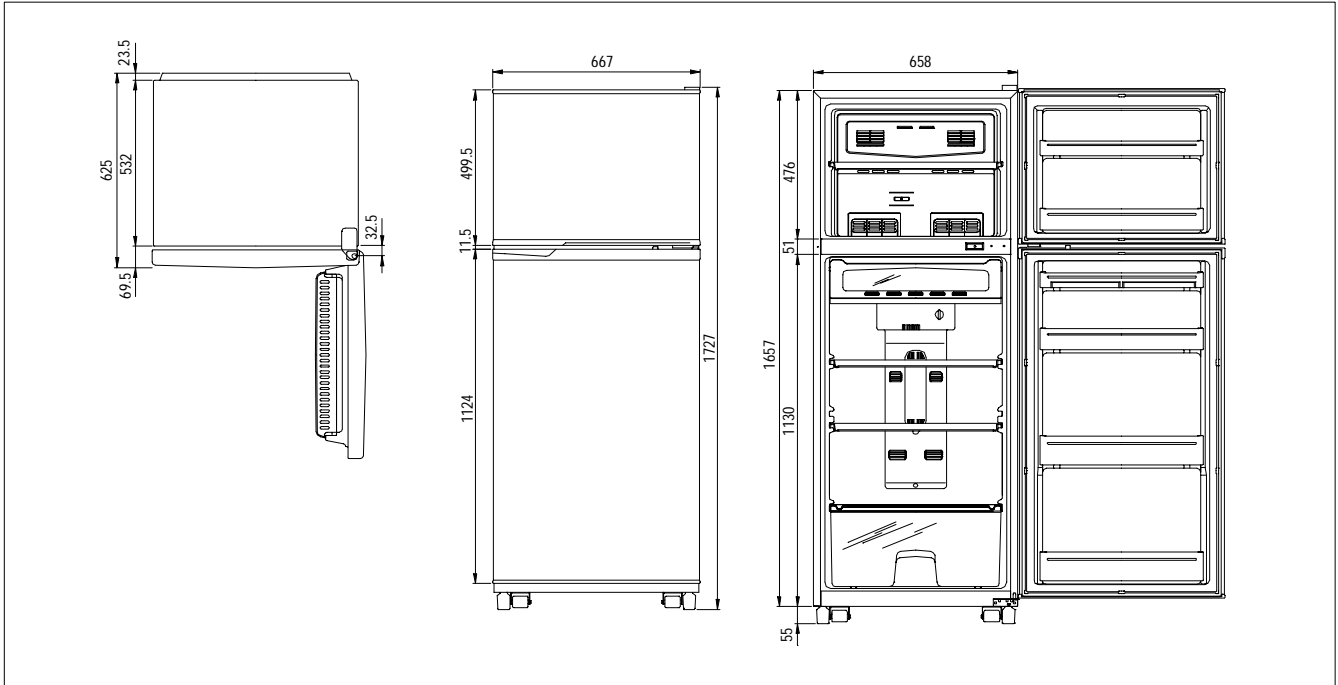
Model: FR-3803



DAEWOO ELECTRONICS CO., LTD.

FR-3803 LEAFLET

1. EXTERNAL VIEWS



2. DOOR COLOR SPECIFICATION

2-1. Assembly Urethan Freezer Door

Refrigerant	R12				R134a			
Color Type	Dull Lamina Sheet	High Glossy lamina sheet	Normal PCM	High Glossy Bright PCM	Dull Lamina Sheet	High Glossy Lamina sheet	Normal PCM	High Glossy Bright PCM
Part Code	×	PFFT00N100	×	PFFT00N110	×	PFFT00N105	×	PFFT00N115

2-2. Assembly Urethan Refrigerator Door

1) Key Type

Refrigerant	R12				R134a			
Color Type	Dull Lamina Sheet	High Glossy lamina sheet	Normal PCM	High Glossy Bright PCM	Dull Lamina Sheet	High Glossy Lamina sheet	Normal PCM	High Glossy Bright PCM
Part Code	×	PFRT00N160	×	PFRT00N170	×	PFRT00N165	×	PFRT00N175

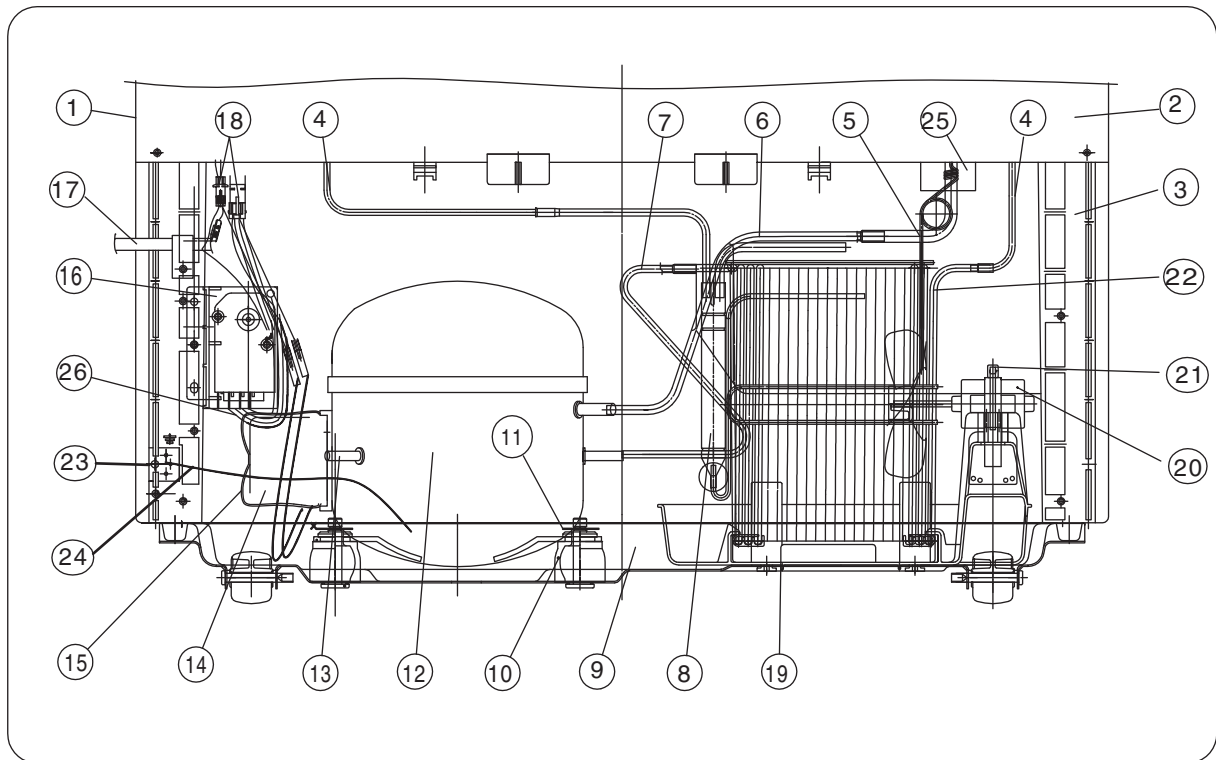
2) Non Key Type

Refrigerant	R12				R134a			
Color Type	Dull Lamina Sheet	High Glossy lamina sheet	Normal PCM	High Glossy Bright PCM	Dull Lamina Sheet	High Glossy Lamina sheet	Normal PCM	High Glossy Bright PCM
Part Code	×	PFRT00N140	×	PFRT00N150	×	PFRT00N145	×	PFRT00N155

* Other parts is exactly same as FR-3801 except the door assembly.

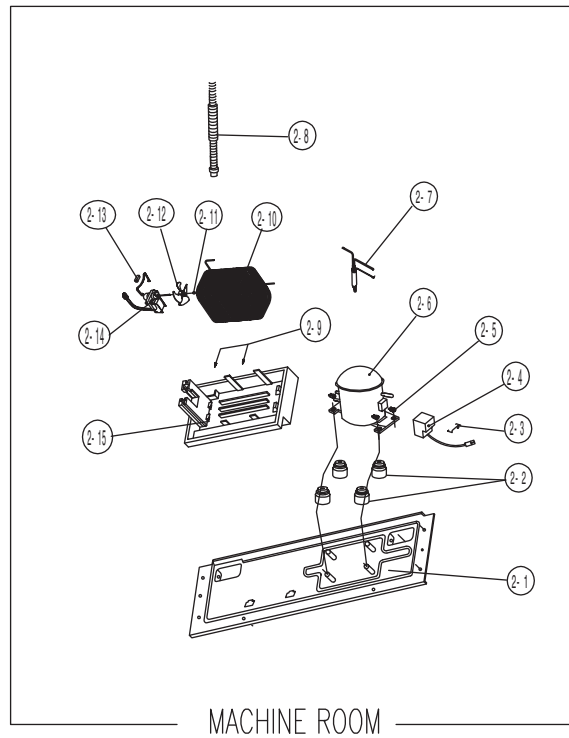
So, If you want to take an information of other things, please look FR-3501/3502/3801/3802 Service Manual.

7. MACHINE ROOM VIEW AND PART LIST



NO.	PART NAME	NO.	PART NAME
1	CABINET AS	14	SWITCH P-RELAY AS
2	COVER CAB	15	BAND RELAY
3	BASE CAB AS	16	BOX POWER AS
4	PIPE HOT	17	CORD POWER AS
5	PIPE SUC AS	18	HARNES MAIN
6	PIPE SUC CONN	19	CASE VAPORI
7	PIPE CONN A	20	C-FAN MOTOR
8	DRYER AS	21	FIXTURE C MOTOR AS
9	BASE COMP AS	22	WI-CON AS
10	ABSORBER COMP	23	BRACKET EARTH
11	WASHER COMP *T	24	WIRE EARTH
12	COMPRESSOR	25	BANGJIN GUM
13	PIPE SERVICE	26	HARNES TIMER AS

11.EXPLODED VIEW(NEW- 3803)



NO.	PART CODE	PART NAME	DESCRIPTION	Q'TY
2-1	3010317530	BASE COMP AS	SBHG T1.0	1
2-2	3010100201	ABSORBER COMP	NR H=40	4
2-3	3012610000	BAND RELAY	SK-5 T0.7	1
2-4	-	SWITCH RELAY AS	DESCRIPTION	1
2-5	3016002500	SPECIAL WASHER	SWRH	4
2-6	-	COMPRESSOR		1
2-7	-	DRYER AS		1
2-8	3013201710	HOSE DRN B	PP	1
2-9	7112401211	SCREW TAPPING	T1 TRS 4X12	2
2-10	3014436300	PIPI WICON AS		1
2-11	3011200500	CLAMP FAN	SUS304	1
2-12	3011802200	FAN	ABS ?3.17	1
2-13	3012006000	FIXT C MOTOR AS		1
2-14	-	MOTOR C		1
2-15	3011117400	CASE VAPORI	PP	1